

Sensor-switched outdoor light

L 190 S

black
EAN 4007841 644413
Article number 644413



Function description

Timelessly elegant in every detail. Classic outdoor SensorLight L 190 S, ideal for prestigious outdoor spaces, 180° angle of coverage, reach can be set up to 12 m or up to 5 m, durable, lavishly ornamented die-cast aluminium, basic light-level function and soft light start.

Technical specifications

| | |
|-------------------------|---|
| Dimensions (L x W x H) | 147 x 217 x 335 mm |
| With lamp | No |
| Manufacturer's Warranty | 3 years |
| Settings via | Potentiometers |
| With remote control | No |
| Version | black |
| PU1, EAN | 4007841644413 |
| Application, place | Outdoors |
| Application, room | outdoors, front door, all round the building, terrace / balcony, courtyard & driveway |
| Installation site | wall |
| Impact resistance | IK03 |
| IP-rating | IP44 |
| Protection class | II |
| Ambient temperature | from -20 up to 40 °C |
| Housing material | Aluminium |
| Cover material | Glass transparent |

| | |
|---|--------------------------------|
| Capability of masking out individual segments | Yes |
| Electronic scalability | No |
| Mechanical scalability | No |
| Reach, radial | r = 5 m (39 m ²) |
| Reach, tangential | r = 12 m (226 m ²) |
| Photo-cell controller | Yes |
| Cover material | shrouds |
| Lamp | All-purpose lamp |
| Base | E27 |
| Soft light start | Yes |
| Continuous light | selectable, 4h |
| Twilight setting | 2 – 200 lx |
| Time setting | 5 s – 15 Min. |
| Basic light level function | Yes |
| Interconnection | No |
| Basic light level function in per cent | 0 – 50 % |

Sensor-switched outdoor light

L 190 S

black
EAN 4007841 644413
Article number 644413



Technical specifications

| | | | |
|----------------------|---------------------|--|-------------------------------|
| Mains power supply | 230 – 240 V / 50 Hz | Basic light level function percentage, from | 0 % |
| Output | 100 W | Basic light level function percentage, up to | 50 % |
| Power consumption | 0,8 W | Optimum mounting height | 2 m |
| Mounting height max. | 4,00 m | Detection angle | 180 ° |
| Slave modeselectable | No | Product category | Sensor-switched outdoor light |
| Sneak-by guard | Yes | | |

Accessories

| | |
|--------------------|---|
| EAN 4007841 000813 | Glass set for L 190 S |
| EAN 4007841 002190 | Replacement base unit for L 170 / L 190 S |

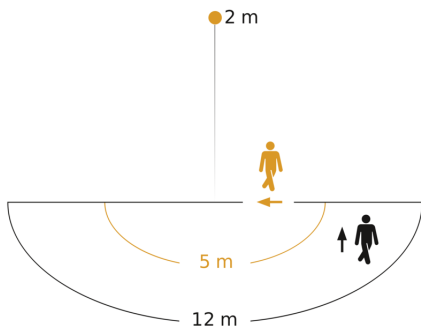
Sensor-switched outdoor light

L 190 S

black
EAN 4007841 644413
Article number 644413

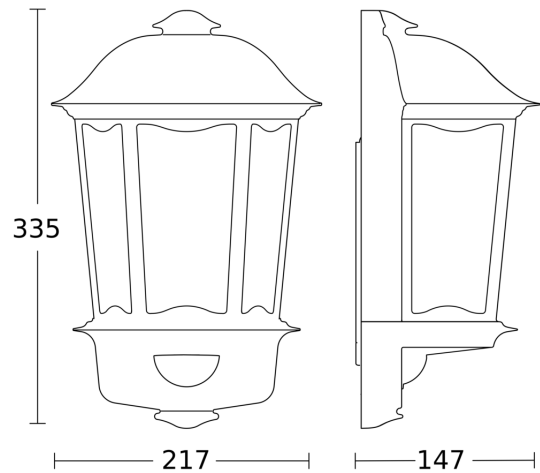


Detection Zone



Possible mounting height: 1,80 m - 4,00 m
Orange: radial
Black: tangential

Dimension Drawing



Circuit diagram

